

Varicon Drums

35 GALLON
Open Head Drum

Nominal Dimensions:

Diameter	20.10 +/- .25 in
Overall Height	35.00 +/- .25 in
Nominal Tare	21.4 +/- .7 lbs
Brim-full Capacity	42.9 +/- .5 US Gallons
Minimum Wall Thickness	.125 in
UN Rating	1H2/Y200/S



Additional Specifications:

Cover Specs:

- 1) Outside diameter 19.11" - 19.16"
- 2) Gasket thickness 0.40" - 0.45"

Ring Specs:

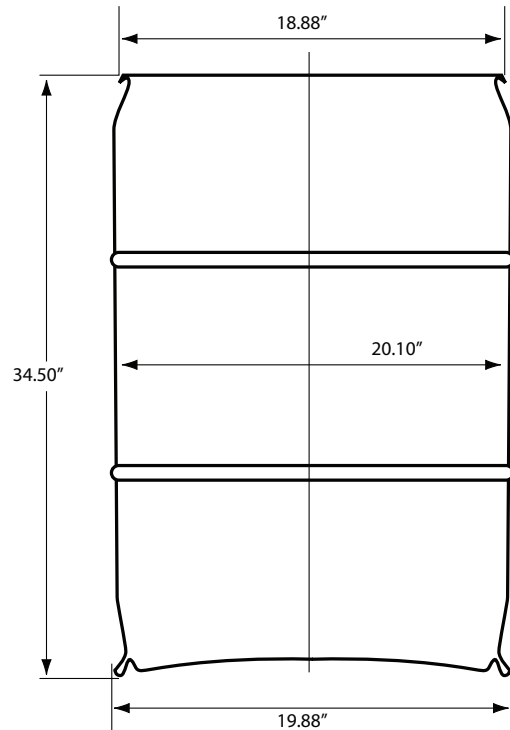
- 1) 18 Gauge
- 2) Closed ID 18.93" - 18.99"
- 3) Side lever lock with tab lock

Available Standard Colors:

- 1) Blue
- 2) Black



Do you have empty drums and want to request free pickup? Contact us by phone at 1.888.919.1700.



133 White Horse Court
Greenville, SC 29605
www.VariconSolutions.com